

Application

Truck Scale, One-Track Crane Scale, Hopper Scale
适用于汽车衡、单轨吊秤、料斗秤等



Parameter

Material 材料: Alloy 合金钢, Stainless 不锈钢

Capacity 量程: 1.25Klb-75Klb

Rated Output 额定输出: 2mV/V

Non Linearity 非线性: $\pm 0.02\%F.S.$

Hysteresis 滞后: $\pm 0.03\%F.S.$

Repeatability 重复性: $\pm 0.02\%F.S.$

Creep (30min) 蠕变: $\pm 0.02\%F.S.$

Zero Balance 零点输出: $\pm 1.00\%F.S.$

Tem.Effect on Zero 零点温度系数: $\pm 0.02\%F.S./10^{\circ}C$

Tem.Effect on Output 额定输出温度系数: $\pm 0.02\%F.S./10^{\circ}C$

Input Impedance 输入电阻: $385 \pm 10\Omega$

Out Impedance 输出电阻: $350 \pm 3\Omega$

Insulation Impedance 绝缘电阻: $\geq 5000M\Omega$

Excitation Voltage 供桥电压: 10V (DC/AC)

Compensated Tem.Range 补偿温度范围: $-10^{\circ}C \sim +50^{\circ}C$

Service Tem.Range 使用温度范围: $-20^{\circ}C \sim +60^{\circ}C$

Safe Overload Range 安全过载: $120\%F.S.$

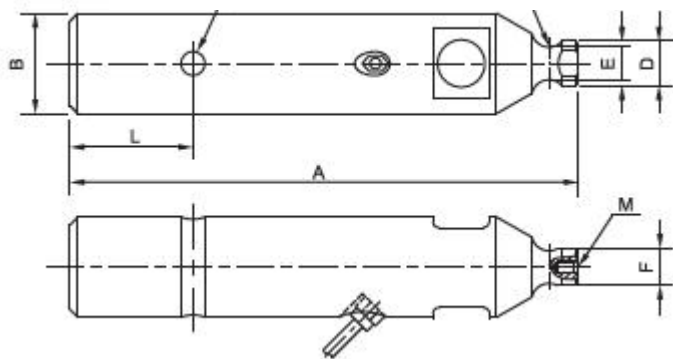
Protection Class 防护等级: IP67, IP68

Cable length 电缆长度: 6m

Wire Code 接线方式: Red 红 (Ex+) Black 黑 (Ex-)

Green 绿 (Sig+) White 白 (Sig-)

Outline Dimensions



Capacity	Size (mm)									N.W.
	A	B	C	D	E	F	R	L	M	
Klb										kg
1.25	292.1	31.8	8.4	17.0	12.7	14.0	6.4	76.2	#6-32	1.6
2.5	292.1	41.2	10.0	17.5	12.7	14.3	7.9	76.2	#6-32	2.8
5	276.2	50.8	10.0	22.2	14.3	15.9	9.6	79.4	#8-32	4.0
10	320.7	63.5	10.0	28.6	20.6	23.4	11.1	77.8	1/4-20	8.5
25-50	377.8	88.5	13.0	44.5	31.8	34.9	15.9	92.0	5/16-18	17.0
75	479.5	127.0	13.0	50.8	38.1	41.3	17.5	117.5	5/16-18	40.0

